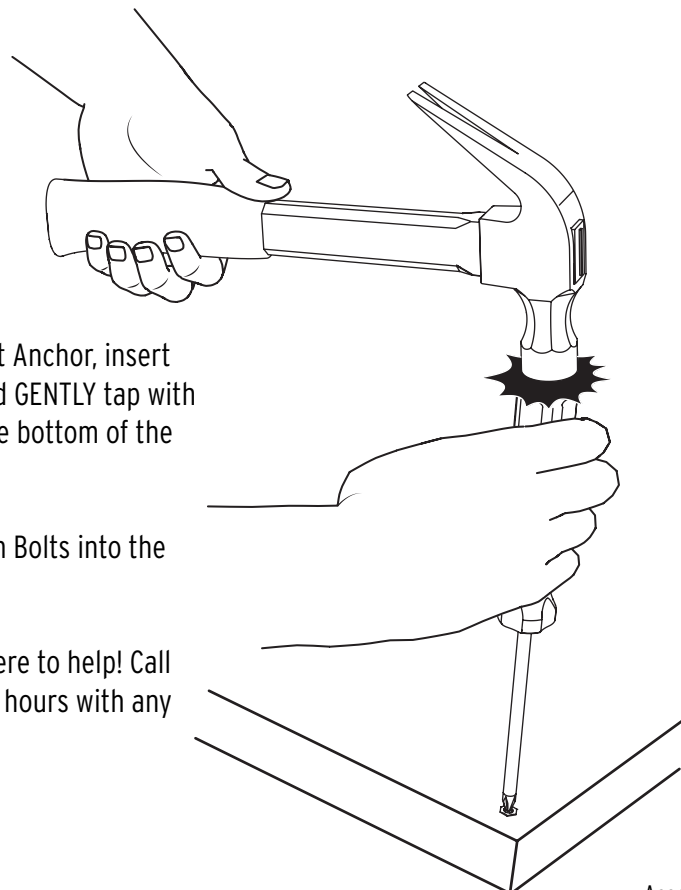
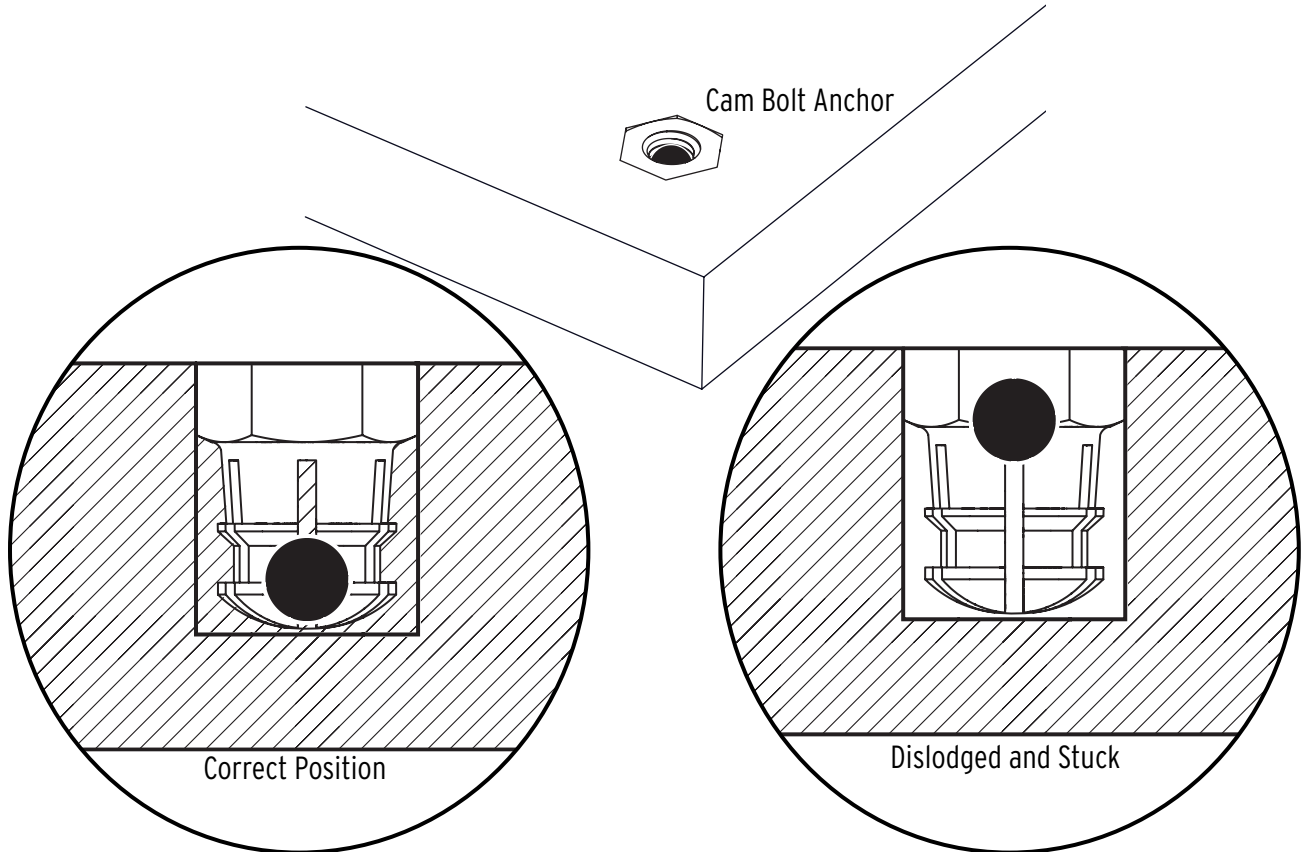


Resetting Cam Bolt Anchors

During shipment, the small rubber ball in the bottom of the pre-installed Cam Bolt Anchors in your cabinet's panels may become dislodged and get stuck at the top of the Cam Bolt Anchor, making it difficult to screw in the cam bolt.



To reposition the rubber ball in the Cam Bolt Anchor, insert the tip of a #2 Phillips Head Screwdriver and GENTLY tap with a hammer to move the ball back down to the bottom of the anchor.

You will now be able to easily screw the Cam Bolts into the panel!

Remember, our Customer Service Team is here to help! Call 1-800-533-7347, ext. 1 during normal business hours with any assembly-related questions.